



Cat. No. **MFF/D/2x40-IEC-C**
 Item **Ex'd' IP-66° FLP/WP.**
Fluorescent Tube Light Luminary

Other Availabilities:

- ▶ Cat.No. MFF/S/1x40-IEC-C, Suit. for single 36/40W. Fluorescent tube.
- ▶ Cat.No. MFF/D/2x20-IEC-C, Suit. for double 18/20W. Fluorescent tubes.
- ▶ Cat.No. MFF/S/1x20-IEC-C, Suit. for single 18/20W. Fluorescent tube.
- ▶ Aluminum anodised Reflector provided inside the glass tube.

TECHNICAL DATA

Enclosure Type

Ex-'d' Class-1, Zone/Division-1, Gas Groups IIA & IIB, hazardous area application confirming to IS/IEC: 60079-1. (Latest Edition).

Protection Class

Weatherproof IP-66° confirming to IS/IEC: 60529.

Temp. Class

T-6.

Construction

Cast aluminium alloy LM-6.

Rating Tube

Suitable for 2x40 W. Tube at 240V. AC.

Component

Copper wound Ballast, Power Factor Condenser & Starter. (Electronic Ballast on request).

Glass

Clear Heat resistant Glass Tube, confirming to IS/IEC: 60079-0.

Wireguard

MS. duly Galvanised / Epoxy powder coated, (Optional).

External Reflector

Aluminium white epoxy coated or polished. (Optional).

Internal Reflector

Aluminium anodised or polished.

Gasket

Endless neoprene rubber.

Holder

Special Bi-Pin type spring loaded.

Terminal

Stud type / Cage Clamp type.

Cable Entry

1/2 Nos. M20x1.5 (F) or Equi.

Mounting

Suitable for Roof/Ceiling. (as shown in the Drawing).

Hinge Arrangement

By way of specially designed clamp (as shown in the drawing).

Earthing

1 No. inside & 2 Nos. outside, screws duly marked.

Hardware

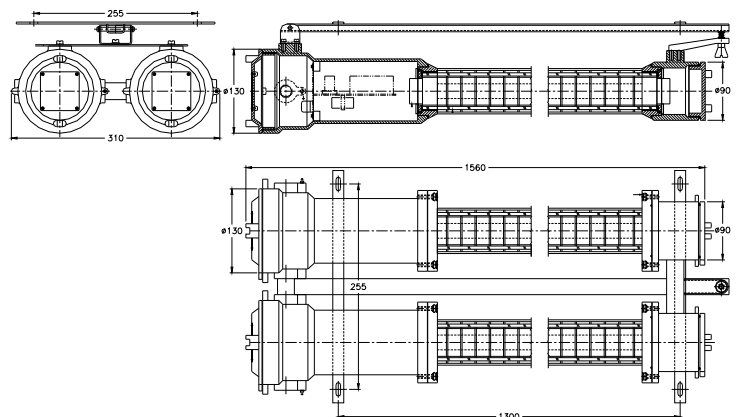
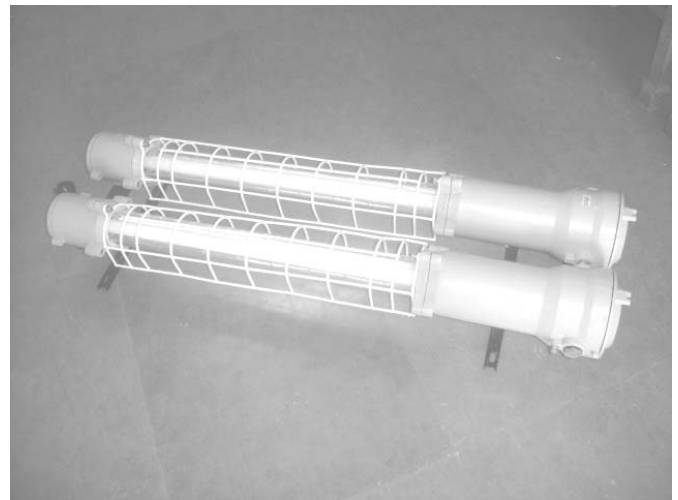
High Tensile M. steel duly cadmium plated.

Finishing

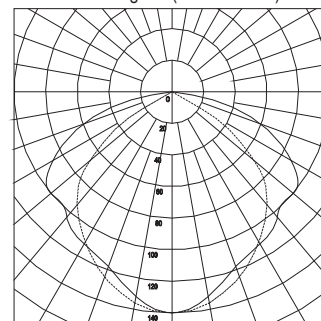
Epoxy coated as per shade 632 of IS-5, or shade 631 on request.

Name plate

Detailed Name & Rating plate along-with warning inscription label as per IS.



Polar Diagram (Scale: cd/klm)



Lumens Output with 2 X 40W. tube

CIMFR : CIMFR/TC/P/H705

CCE/PESO : P266762/2

BIS : CM/L-0708044

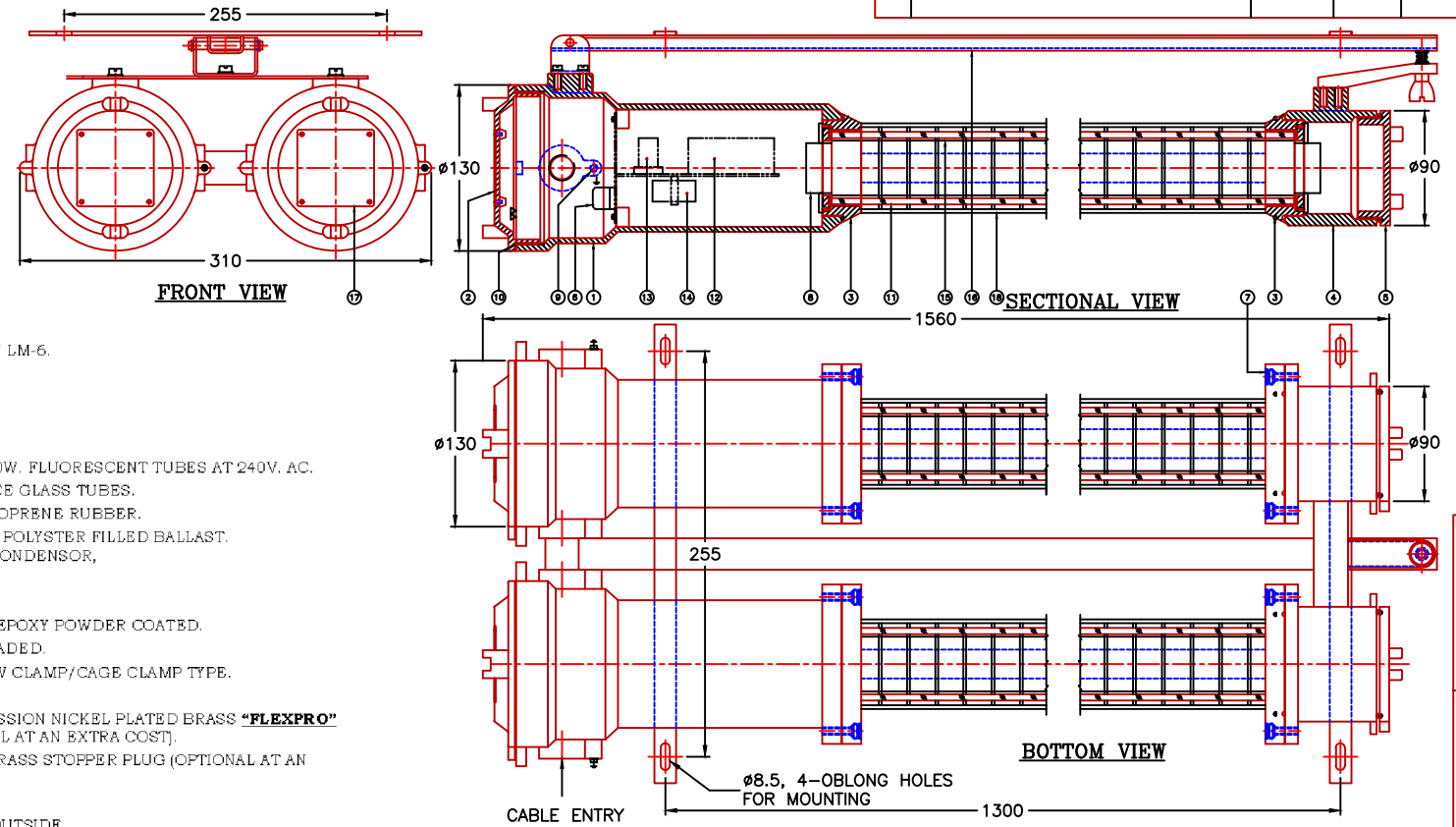
DGMS : -



NOTE : ALL DIMENSIONS ARE IN MM. UNLESS OTHERWISE STATED. (TOLERANCE ±5mm)

FLEXPRO

NO.	REVISION	DATE	CKD.BY	APPR.BY



TECHNICAL DATA:-

CONSTRUCTION : CAST ALUMINIUM ALLOY LM-6.
 TYPE OF ENCLOSURE : Ex'd, ZONE - I/II.
 AREA CLASSIFICATION : GAS GROUP IIA/IIB.
 PROTECTION : IP-66.
 TEMPERATURE CLASS : T-3 OR BETTER.
 RATING : SUITABLE FOR 2 x 36/40W. FLUORESCENT TUBES AT 240V. AC.
 TRANSPARENT PART : CLEAR HEAT RESISTANCE GLASS TUBES.
 GASKET : ENDLESS MOULDED NEOPRENE RUBBER.
 COMPONENTS : 2 NOS. COPPER WOUND POLYESTER FILLED BALLAST.
 1 NO. POWER FACTOR CONDENSOR,
 2 NOS. STARTERS.
 INTERNAL REFLECTOR : ALUMINIUM ANODISED.
 WIRE GUARD : MS DULY GALVANISED/EPOXY POWDER COATED.
 HOLDER : BI-PIN TYPE, SPRING LOADED.
 TERMINAL : 2.5mm² CLIP-ON/SCREW CLAMP/CAGE CLAMP TYPE.
 CABLE ENTRY : 2 NOS. M20 x 1.5P (F).
 CABLE GLAND : Ex'd, DOUBLE COMPRESSION NICKEL PLATED BRASS "FLEXPRO"
 CABLE GLAND (OPTIONAL AT AN EXTRA COST).
 STOPPER PLUG : Ex'd, NICKEL PLATED BRASS STOPPER PLUG (OPTIONAL AT AN
 EXTRA COST).
 MOUNTING : AS SHOWN IN DRAWING.
 EARTHING : 1 NO. INSIDE & 2 NOS. OUTSIDE.
 FINISHING : DARK GRAY, EPOXY COATED, AS PER SHADE 632 OF IS-5.
 HARDWARE : SS. EXTERNAL HARDWARE.
 NAME PLATE : SS. NAME CUM WARNING INSCRIPTION AS PER IS. REQUIREMENTS.
 HINGE ARRANGEMENT : BOLT TYPE.
SPECIAL NOTE: PURCHASER OR THEIR CONSULTANT TO PROVIDE CABLE SIZE WITH IT'S CABLE
 DIMENSIONS (LIKE O.D., φU.A. & φO.A.), AT THE TIME OF APPROVING THIS DRAWING.

NOTE :-
 THIS IS A GENERAL ARRANGEMENT DRAWING
 FOR YOUR REFERENCE ONLY, IN EVENT OF AN
 ORDER, THIS DRAWING WILL BE RESUBMITTED
 AS PER YOUR DATA SHEET / TECHNICAL
 SPECIFICATION REQUIREMENT AND TECHNO-
 -COMMERCIAL EXCEPTION-DEVIATION AS PER
 OUR OFFER, FOR YOUR APPROVAL.

FLEXPRO

ACAD FILE NO.: MFF/D/2x40-IEC

The drawing, design and details given on this format are the property of "FLEXPRO". They are merely loaned on the borrower's express agreement that they will not be reproduced, copied, exhibited or used, except in the limited way permitted by a written consent given by the lender to the borrower for the intended use.

13	STARTER (S. SHEET)	2	ELECTRONIC	14	CONDENSOR	1	P.F.
12	BALLAST	2	COPPER WOUND	15	INTERNAL REFLECTOR	2	AL. ANODISED
11	GLASS TUBE (BOROSILICATED)	2	GLASS (H.R.)	16	MOUNTING BRACKET	1	MS.
10	GASKET (RUBBER NEOPRENE)	8	ENDLESS	17	DETAILED LABEL WITH WARNING INSCRIPTION	2	SS.
9	EARTING SCREW & PL. WASHER	3	M6 X 10	18	WIRE GUARD	2	MS.
8	HOLDER	4	BI-PIN TYPE				
7	ALLEN CAP SCREW & SP. WASHER	8	M6 x 20				
5	END FERRUL COVER (THREADED TYPE)	2	ELMEX/WAGO/EQUI.				
4	END FERRUL ENCLOSURE	2					
3	FERRUL	4	AL. LM - 6				
2	MAIN COVER (THREADED TYPE)	2					
1	MAIN ENCLOSURE (THREADED TYPE)	2					
SR.NO.	DESCRIPTION	QTY.	MATL. & SIZE				

CAT. NO.	MFF/D/2x40-IEC-C
CMRI	CIMFR/TC/P/H 705
CCE	P266762/2
BIS	CM/L-0708044

DRG. NAME: Ex'd/IIA&IIB/IP-66		MFG. BY	
FLP/WP. FLUORESCENT TUBE LIGHT FITTING		FLEXPRO	
CLIENT		DGN. BY SHP	IS. REF.: IS/IEC: 60079-1
CONSULTANT		CKD. BY AMP	IS/IEC: 60079-0
PROJECT		APPR. BY PAM	IS/IEC: 60529
ITEM NO.		DATE	15.11.10
QTY.		SCALE	N.T.S
ENQ. NO.		GROUP	IIA&IIB
		INDENT NO:	DRG. NO.:
		MFF/2x40-C/10	Sheet Sr.No. 03

केन्द्रीय खनन एवं ईंधन अनुसंधान संस्थान

(वैज्ञानिक तथा औद्योगिक अनुसंधान परिषद)

बरवा रोड, धनबाद-826015, झारखण्ड, भारत



ORIGINAL COPY

CENTRAL INSTITUTE OF MINING AND FUEL RESEARCH

Formerly : Central Mining Research Institute
(Council of Scientific & Industrial Research)

BARWA ROAD, DHANBAD-826015, JHARKHAND, INDIA

SPEED POST/COURIER SERVICE

No. CIMFR/TC/P/H705
Equipment ID NO. 60/11

Dated: // * February, 2011
Code No. FLP/191/10-11

To,
M/S. FLEXPLO ELECTRICALS PVT. LTD.,
GIDC, KABILPORE, NAVSARI - 396 424
GUJARAT

Sub: Flameproof Testing as per IS/IEC 60079-1: 2007 and weatherproof 12063-1987 (IEC 60529: 1989) of your **FLP/WP Single/Double Fluorescent Tube Light Fitting**, Suitable for 1/2x36/40W, 1/2x18/20W FTL at 110/240V AC/DC 50/60 Hz in cast aluminium alloy LM-6 construction, designated by **Cat. No.: MFF/D/2X40-IEC-C** for use in Zone 1 & 2 and Gas Group: IIB atmosphere only.

- Report on (PROTOTYPE)

Your Ref. Appl. No.: FEPL/CIMFR/APPLI-TT/0004/2010-11

Dated: 25/11/2010

Dear Sir,

Please find enclosed the **Test Report (Prototype)** of the above sample submitted by you. Charges of **Rs. 37,458/-** (**Rupees Thirty Seven thousand Four hundred Fifty Eight only**) including applicable service charges involved towards the testing /issuing the schedule have been adjusted against the advance deposit made by you.

Kindly arrange to collect the sample within 90 days from the date of receipt of this letter failing which CIMFR would dispose off the sample by public auction without any further NOTICE to you.

Kindly acknowledge receipt.

Thanking you.

Yours faithfully,

Encl: As above.

Proto Test Report in **Two copies**

Copy to: 1. Head, Flame & Explosion Lab.
2. Bill Section.

(G. M. PRASAD)

HEAD OF THE DEPARTMENT
TESTING CELL

फोन-निदेशक Director

पी.ए.एक्स PAX

फैक्स FAX

Ph.: 0091-326-2296023/2296006

Ph.: 0091-326-229-6027/6028/6029/6003/6004/6005/6008/6010

Ph.: 0091-326-2296025/2296030/2296176/2296033

Website : www.cimfr.nic.in

कार्यालय के दिन : सोमवार से शुक्रवार तक Working days : Monday to Friday